



Parts Manual

Mfg. No: 030206-0
5,500 Watt Briggs & Stratton

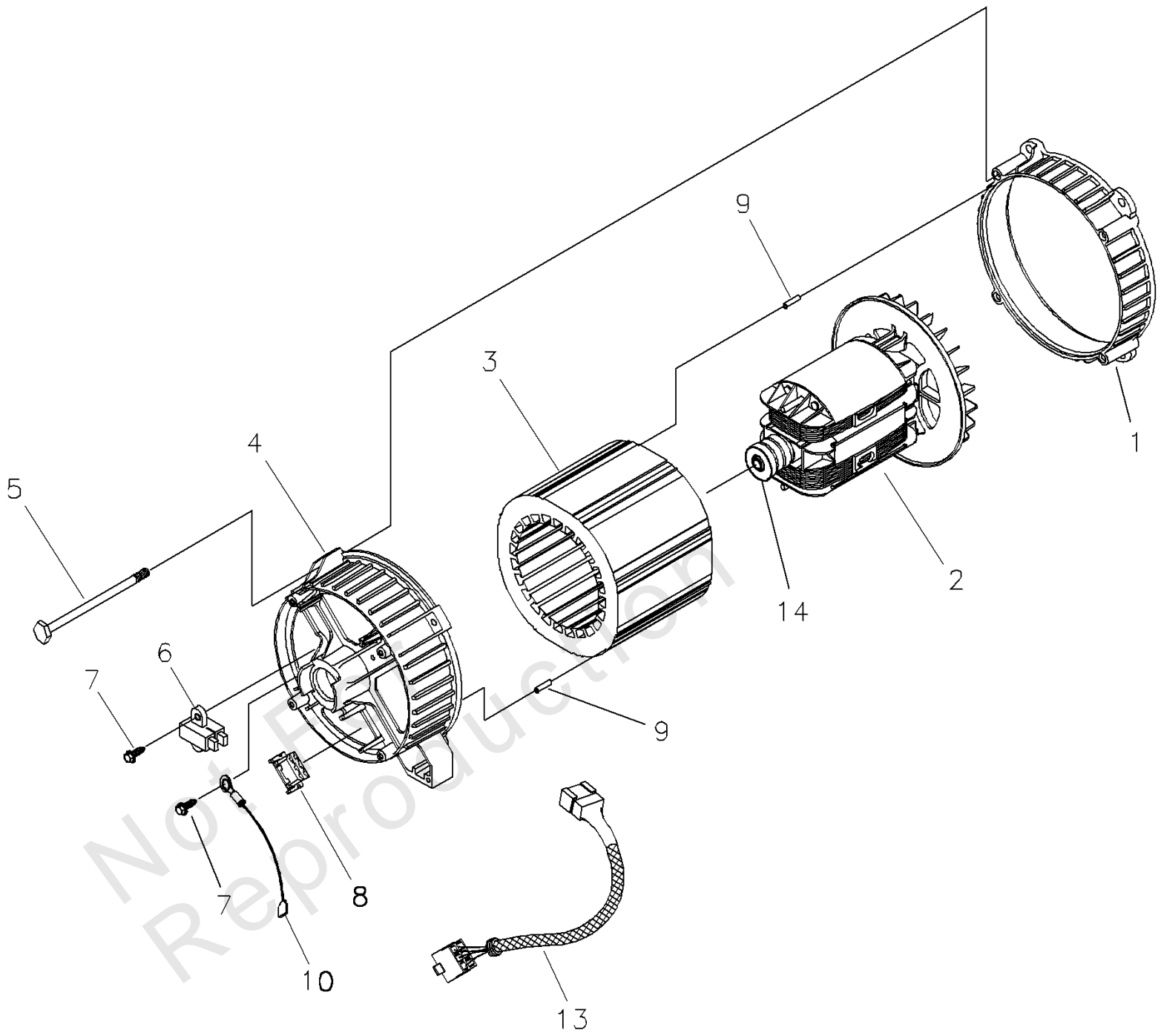
Model Components	Page
Alternator (192518).....	4
Control Panel (196230).....	6
Main Unit (196850).....	8
Wheel Kit (189833).....	12
Wiring Diagram (196808).....	14
Wiring Schematic (196808).....	16
Torque Specification Chart.....	18

Not For
Reproduction

Alternator (192518)

Note: Unless noted otherwise, use the standard torque specifications

Mfg. No: 030206-0



Alternator (192518)

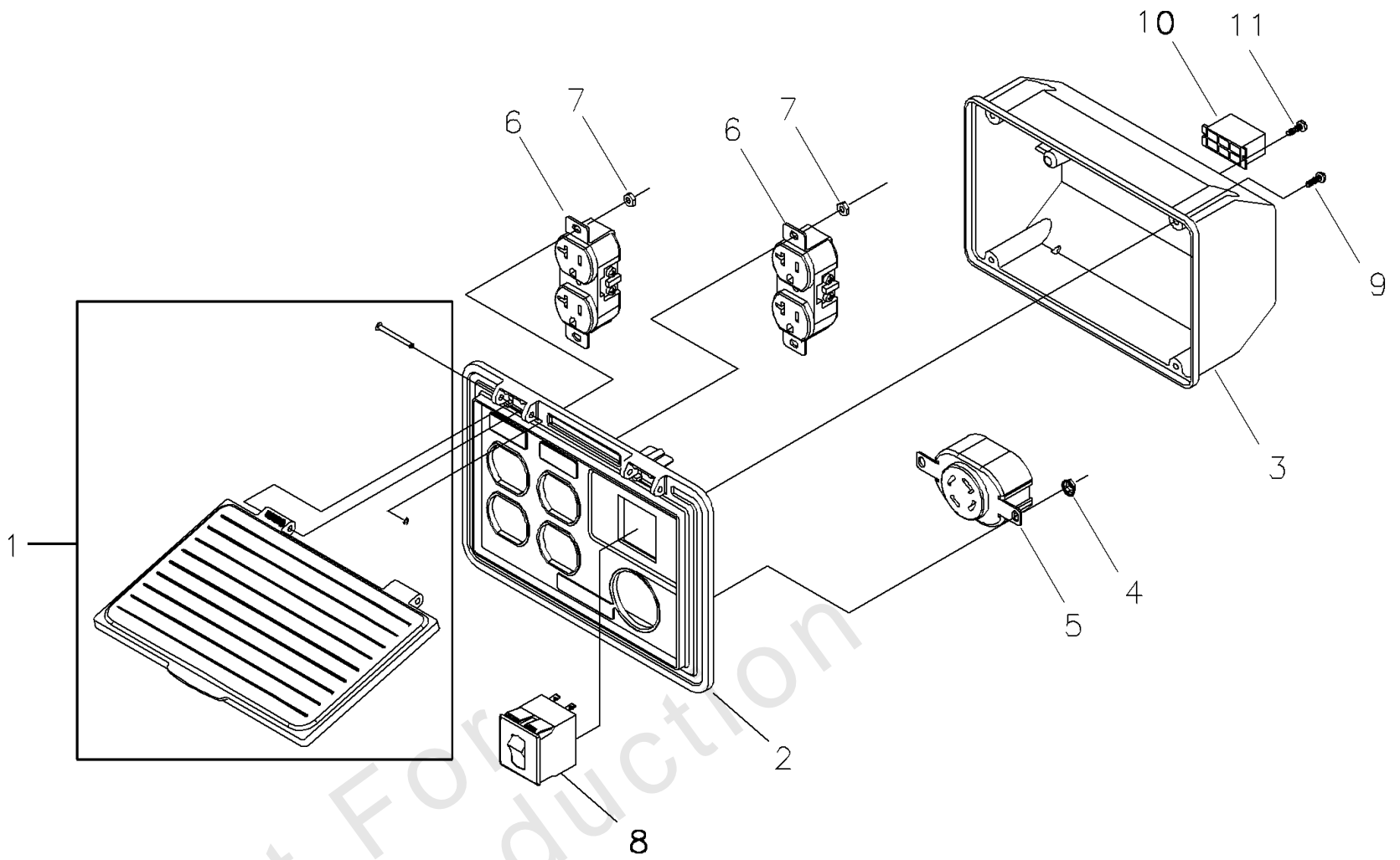
REF NO	PART NO	QTY	DESCRIPTION
1	186059GS		ADAPTER, Mounting, Alternator
2	190032GS		ROTOR
3	190079AGS		STATOR
4	186060GS		RBC, with O-Ring (p/n 189197GS)
5	86308HGS		HHCJ., M6 - 1.0 x 140 HEMS
6	91825GS		ASSEMBLY, Holder, Rectifier/Brush
7	66849GS		TAPTITE, M5 - 0.8 x 16
8	22694GS		RECEPTACLE, 6 pin
9	81917GS		PIN, Roll, 4mm x 10
10	193428AGS		WIRE-A, Ground
13	194274GS		HARNESS, Wire, Power
14	65791GS		BEARING

Not For
Reproduction

Control Panel (196230)

Note: Unless noted otherwise, use the standard torque specifications

Mfg. No: 030206-0



Not For
Reproduction

Control Panel (196230)

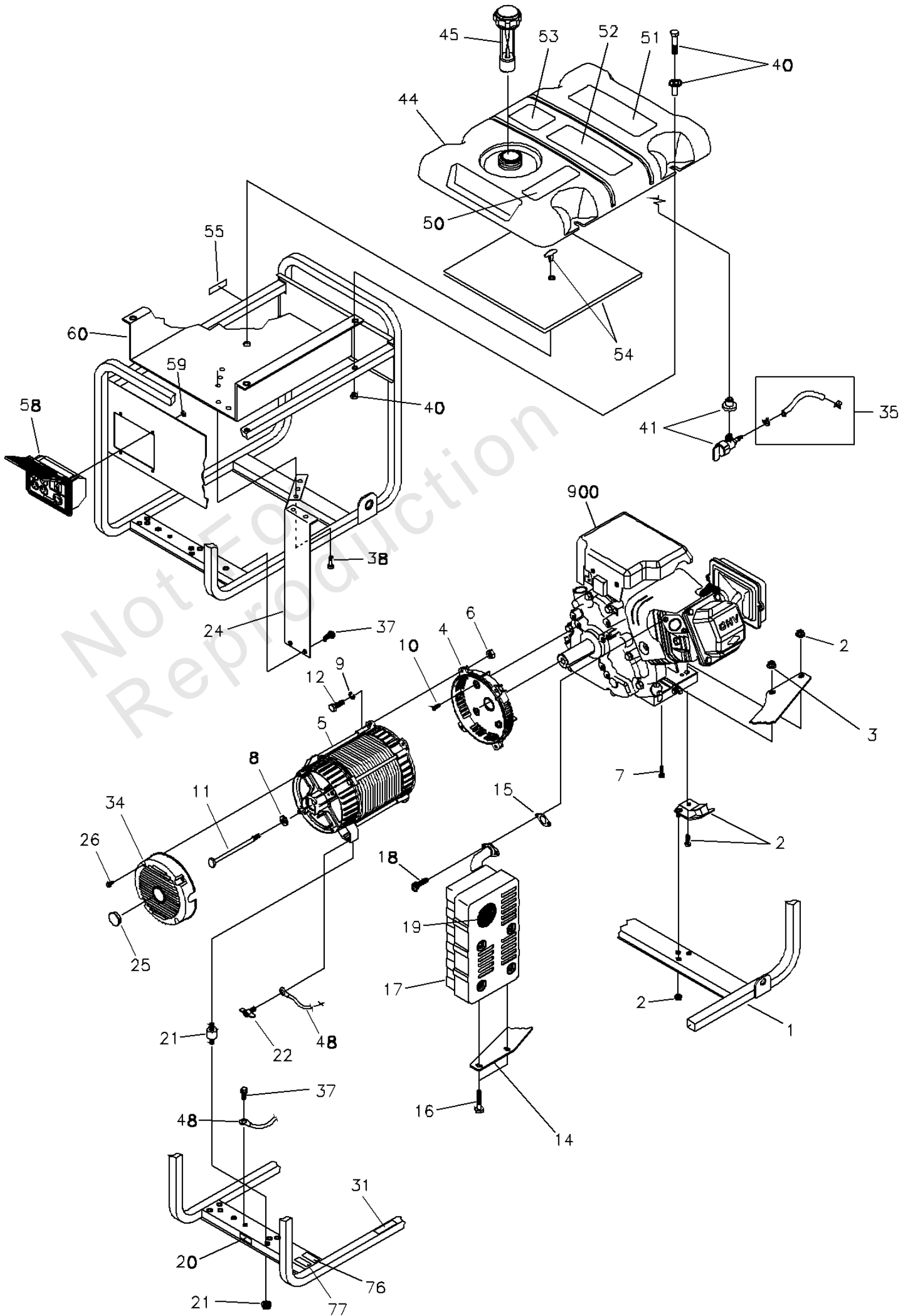
REF NO	PART NO	QTY	DESCRIPTION
1	195112GS		ASSY, Control Lid Panel
2	196506AGS		CONTROL PANEL, Compact
3	188890GS		BOX, Rear Cover
4	-		NUT, Palnut, Pushnut, 3/16 -Purchase locally
5	43437GS		OUTLET, 120/240 Locking, 30A
6	68759GS		OUTLET, 120V, 20Amp, Duplex
7	-		NUT, Palnut, Pushnut, 5/32 -Purchase locally
8	202029GS		BREAKER, 20, 2P
9	192241GS		SCREW, Tapping, 3.5 x 14
10	22694GS		HOUSING, Receptacle
11	82308GS		SCREW, Tapping, STC 3 x 18

Not For
Reproduction

Main Unit (196850)

Note: Unless noted otherwise, use the standard torque specifications

Mfg. No: 030206-0



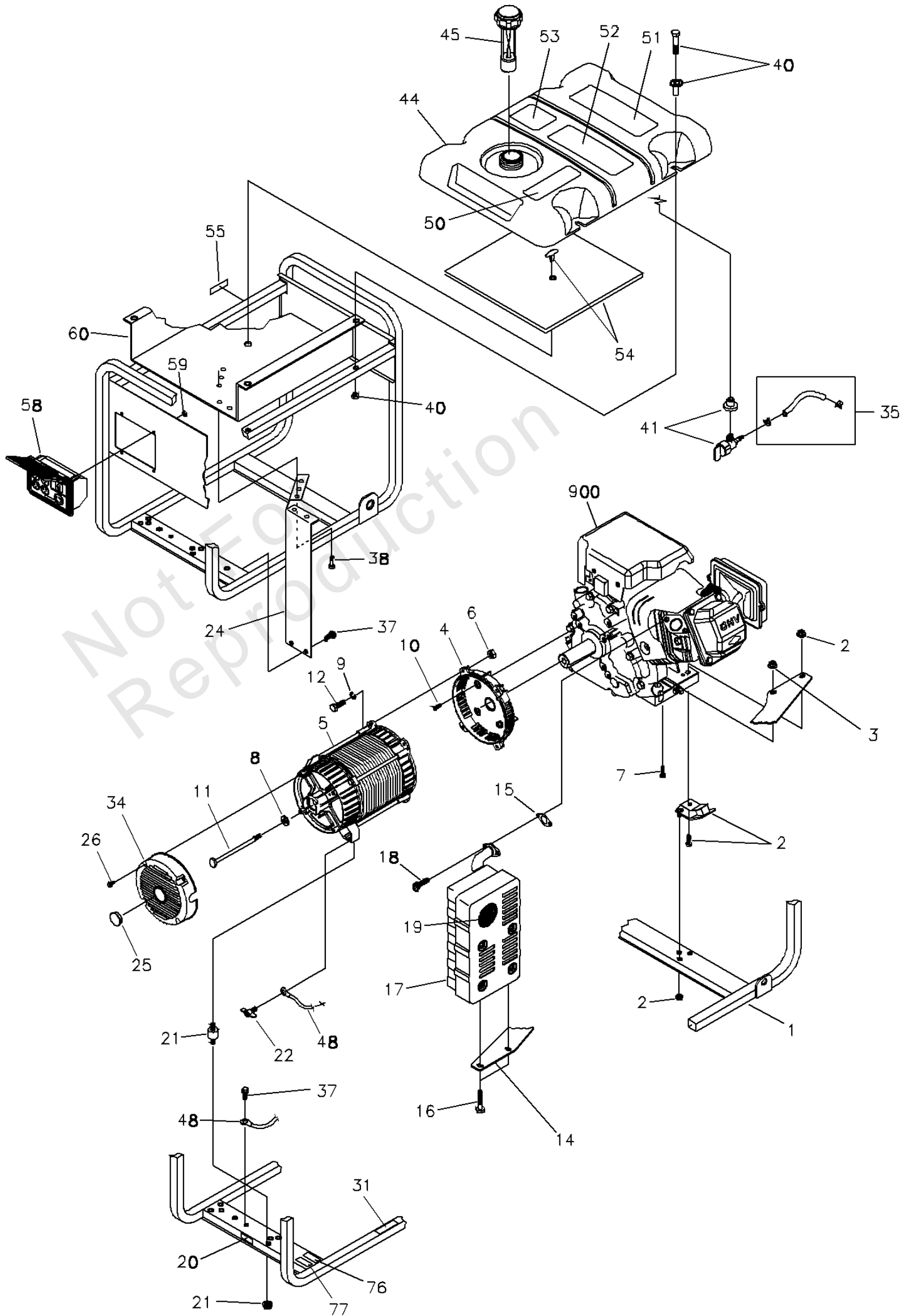
Main Unit (196850)

REF NO	PART NO	QTY	DESCRIPTION
1	M196923GS		CRADLE (Includes #'s 20, 31, 55, 76 and 77)
2	194150GS		KIT, Vibration Mount 45°
3	67989GS		NUT, M8 Flange Serrated
4	190220GS		HOUSING, Engine Adapter
5	~NSP		ASSY, Alternator (see page 5)
6	-		NUT, Hex M8 - 1.25 -Purchase locally
7	-		TPHMS, M8 - 1.25 x 35 -Purchase locally
8	96796GS		WASHER, 8.4 x 22.2 x 3
9	-		WASHER, 5/16 - M8 Lock -Purchase locally
10	190274BGS		SBHCS, 3/8-16 x 1.0 Lg
11	187365FGS		HHCS, 5/16-24 x 7-7/16
12	-		HHCS, M8 - 1.25 x 25 -Purchase locally
14	189009GS		BRACKET, Muffler
15	695398		GASKET, Exhaust
16	-		HHCS, M6 - 1.0 x 12 w/W -Purchase locally
17	189008GS		MUFFLER
18	201522GS		SHCS, 5/16 - 18 x 7/8"
19	83083GS		SCREEN, Spark Arrest
20	B4986GS		DECAL, Ground, Green
21	194153GS		KIT, Vibration Mount
22	86494GS		SCREW, Wing M6 - 1.0 x 16
24	194390GS		SHIELD, Heat
25	191190GS		CAP
26	74908GS		SCREW, M5-0.8 x 10, Taptite
31	200310GS		DECAL, Warning, Exhaust
34	195422GS		COVER, RBC, Plastic w/cap
35	791745		KIT, Fuel Line (cut to fit)
37	B2153GS		SCREW, 12-14 x 7/8 Self Drilling
38	56893GS		SCREW, 10-24 x 1/2 Crimptite
40	195477GS		KIT, Fuel Tank Hardware (Includes Qty of 4)
41	192980GS		KIT, Valve, Tank
44	197303GS		ASSY., Tank, Fuel 7-Gallon (Includes #'s 41, 50, 51, 52 & 53)
45	B4363GS		CAP, Fuel Gauge
48	195373GS		WIRE, Ground
50	188333GS		DECAL, Gas Fill
51	194984GS		DECAL, Warning
52	94480GS		DECAL, Start Instructions
53	202997GS		DECAL, Warning CO
54	194448GS		KIT, Insulation w/Clip
55	197798GS		DECAL, Fuel Shut-off
58	202530GS		ASSY, Control Panel
59	189164GS		NUT, Palnut, 3/16"
60	194389GS		SHIELD, Heat
76	195940GS		DECAL, Neutral Ground, French
77	195459GS		DECAL, Ground Neutral
900	-		ENGINE -Contact Engine Manufacturer
	BB3061GS		BOTTLE, Oil -Parts Not Illustrated

Main Unit (196850)

Note: Unless noted otherwise, use the standard torque specifications

Mfg. No: 030206-0



Main Unit (196850)

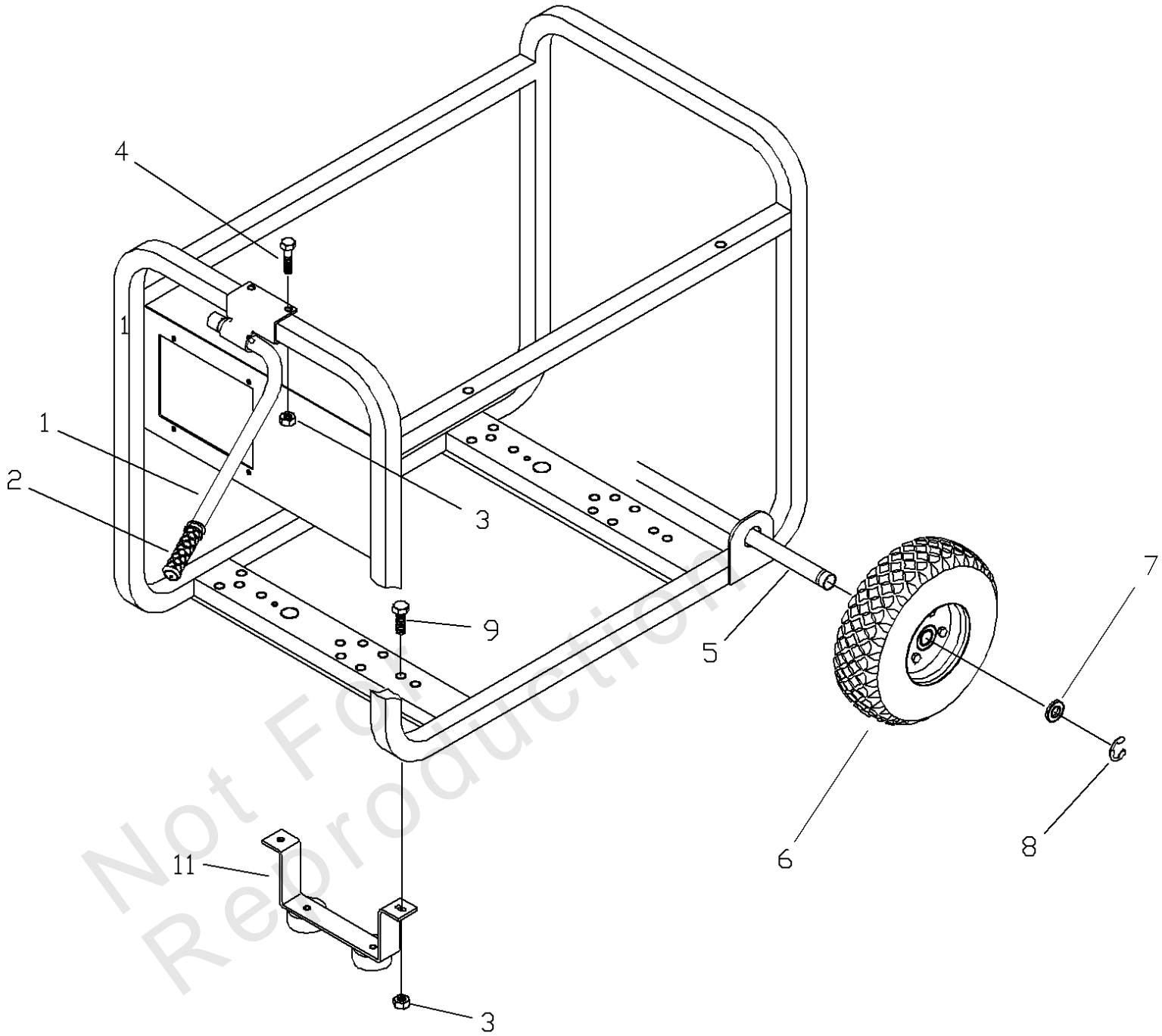
REF NO	PART NO	QTY	DESCRIPTION
	196849GS		MANUAL, Operator's -Parts Not Illustrated
	MS3790		MANUAL, Engine -Parts Not Illustrated
	202180GS		DECAL, Family, CA, EVP -Parts Not Illustrated
	197301GS		KIT, Decals, Service -Parts Not Illustrated

Not For
Reproduction

Wheel Kit (189833)

Note: Unless noted otherwise, use the standard torque specifications

Mfg. No: 030206-0



Wheel Kit (189833)

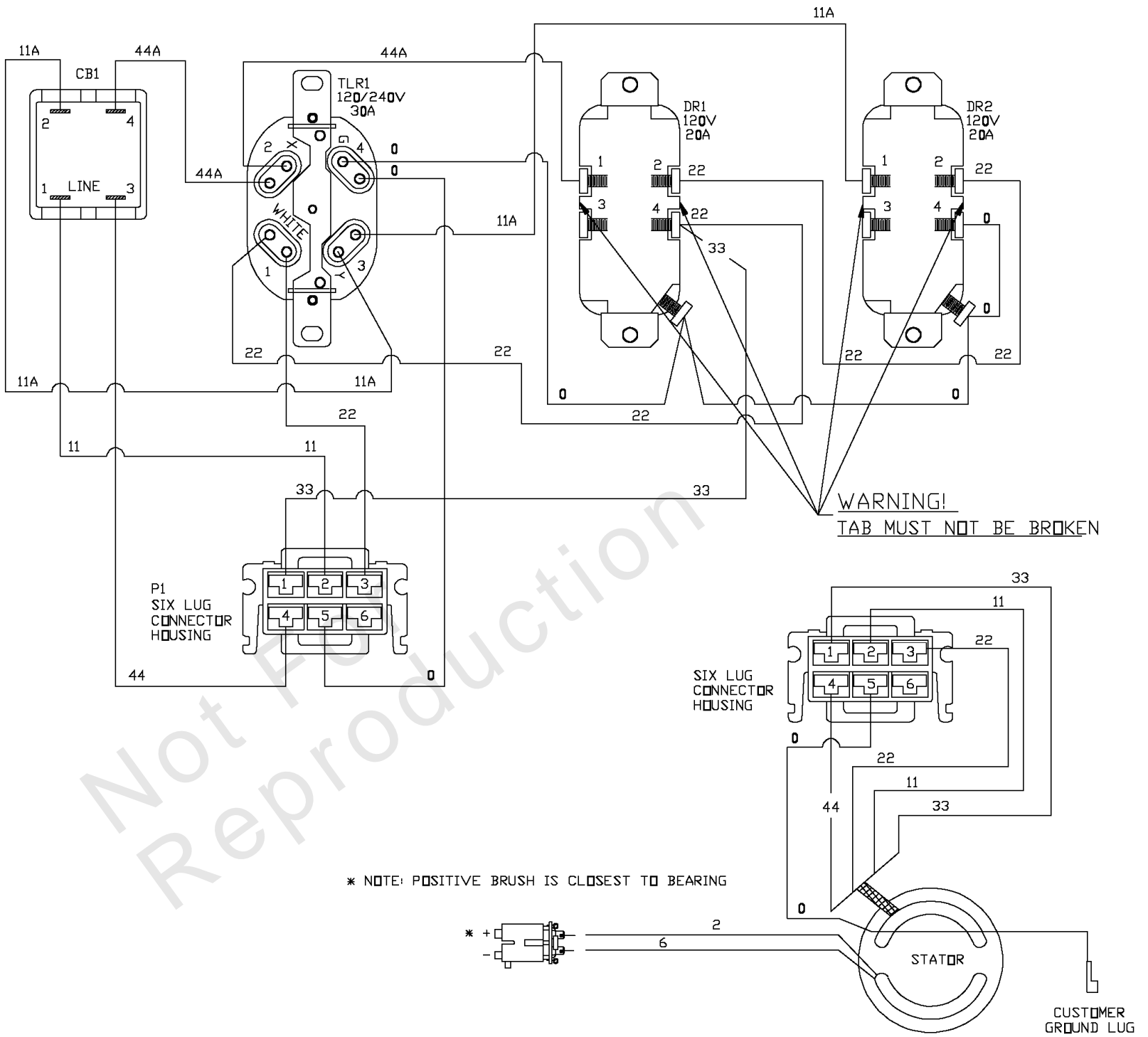
REF NO	PART NO	QTY	DESCRIPTION
1	189715GS		ASSY, Handle w/Grip
2	189718GS		GRIP, Handle
3	67989GS		NUT, M8 Flange Serrated
4	-		HHCS, M8 - 1.25 x 45 -Purchase locally
5	191267GGS		AXLE
6	B4966GS		WHEEL
7	-		WASHER, Flat, 5/8" -Purchase locally
8	191265GS		E-RING
9	-		HHCS, M8 - 1.25 x 20 -Purchase locally
11	204536GS		ASSY, Support, w/Mounts
--	189738GS		SUBKIT, Hardware -Part Not Illustrated

Not For
Reproduction

Wiring Diagram (196808)

Note: Unless noted otherwise, use the standard torque specifications

Mfg. No: 030206-0



Wiring Diagram (196808)

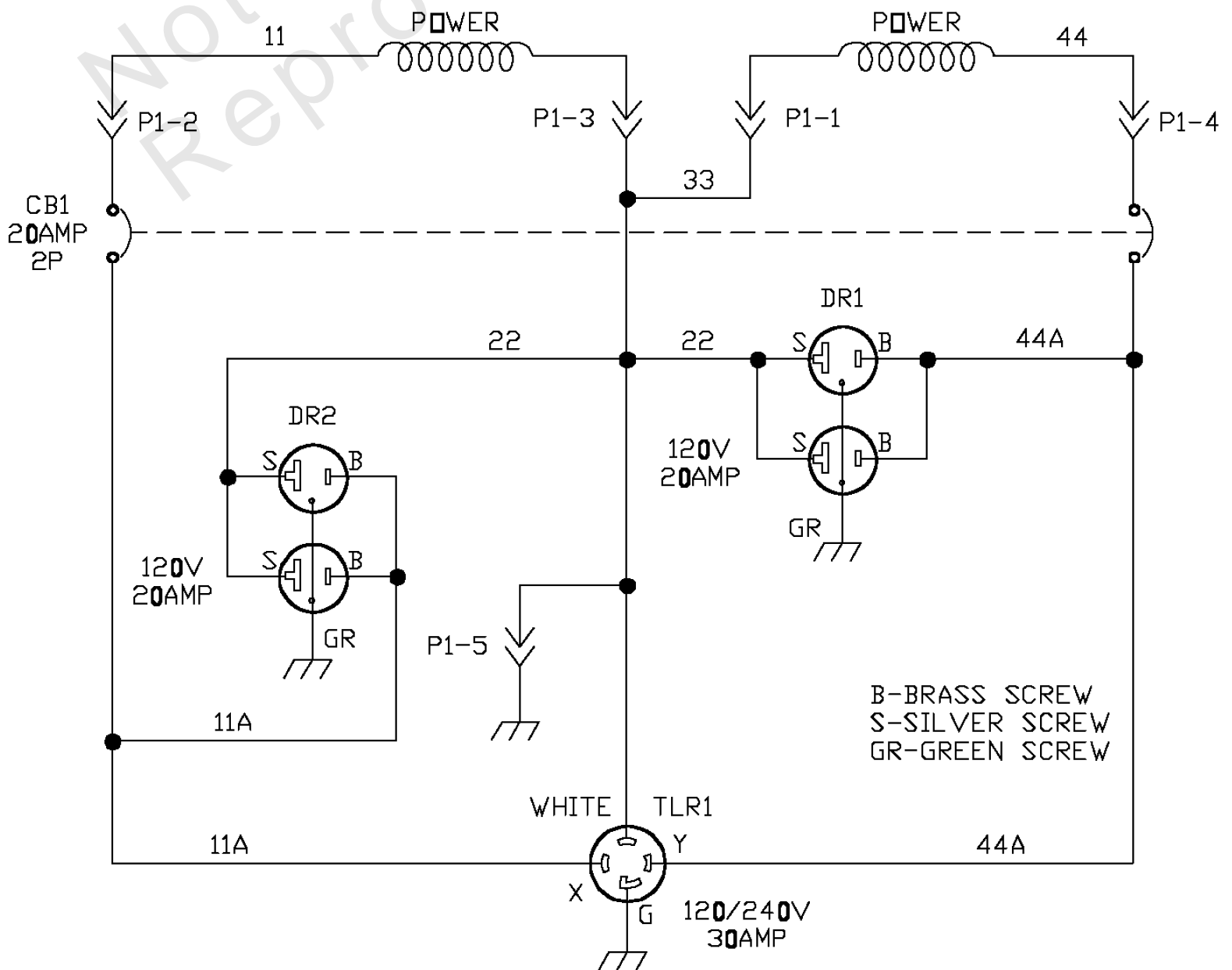
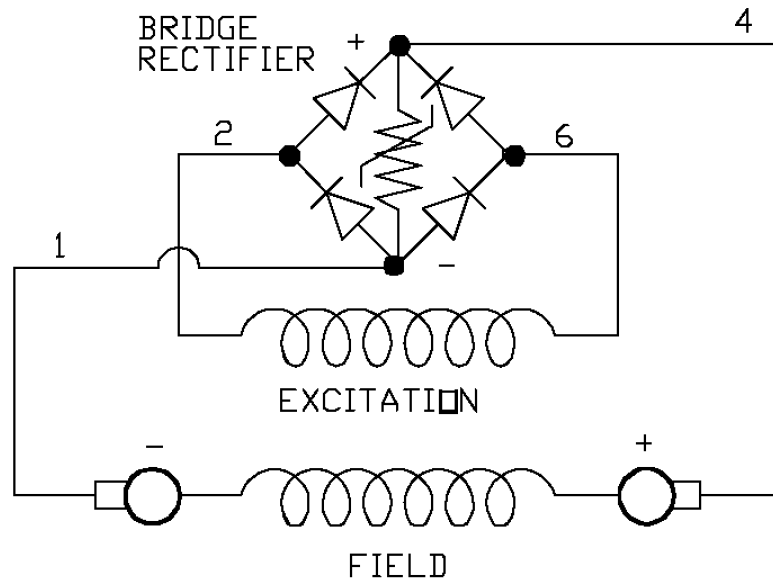
REF NO	PART NO	QTY	DESCRIPTION
--	-		Wiring Diagram Only
--	WARNING		Warning Generator Voltage Could Cause Electrical Shock or Burn Resulting in Death Or Serious Injury. To Avoid Electrical Shock Or Burn Hazard, Please Refer Service To Qualified Personnel.

Not For
Reproduction

Wiring Schematic (196808)

Note: Unless noted otherwise, use the standard torque specifications

Mfg. No: 030206-0



Wiring Schematic (196808)

REF NO	PART NO	QTY	DESCRIPTION
--	-		Wiring Schematic Only
--	WARNING		Warning Generator Voltage Could Cause Electrical Shock or Burn Resulting in Death Or Serious Injury. To Avoid Electrical Shock Or Burn Hazard, Please Refer Service To Qualified Personnel.

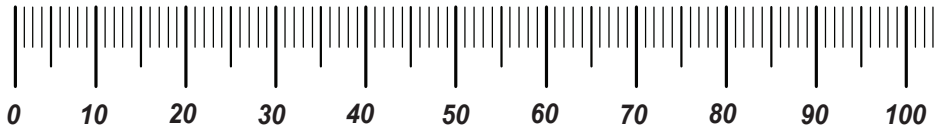
Not For
Reproduction

Hardware Identification & Torque Specifications

Torque Specification Chart								
FOR STANDARD METRIC MACHINE HARDWARE (Tolerance ± 20%)								
Property Class	5.6		8.8		10.9		12.9	
	Class 5.6		Class 8.8		Class 10.9		Class 12.9	
Size Of Hardware	in/lbs	Nm.	in/lbs	Nm.	in/lbs	Nm.	in/lbs	Nm.
	ft/lbs		ft/lbs		ft/lbs		ft/lbs	
M3	5.88	.56	13.44	1.28	19.2	1.80	22.92	2.15
M4	13.44	1.28	30.72	2.90	43.44	4.10	52.56	4.95
M5	26.4	2.50	60.96	5.75	5.97	8.10	7.15	9.7
M6	44.64	4.3	7.3	9.9	10.3	14	12.1	16.5
M7	5.2	7.1	12.1	16.5	16.9	23	19.9	27
M8	7.7	10.5	17.7	24	25	34	29	40
M10	15	21	35	48	50	67	59	81
M12	26	36	61	83	86.2	117	103	140
M14	42	58	101	132	136	185	162	220
M16	64	88	147	200	210	285	250	340
M18	89	121	202	275	287	390	346	470
M20	126	171	290	390	405	550	486	660
M22	169	230	390	530	559	745	656	890
M24	217	295	497	375	708	960	840	1140
M27	320	435	733	995	1032	1400	1239	1680
M30	435	590	995	1350	1401	1900	1681	2280
M33	590	800	1349	1830	1902	2580	2278	3090
M36	759	1030	1740	2360	2441	3310	2935	3980
M39	988	1340	2249	3050	3163	4290	3798	5150

Torque Specification Chart						
FOR STANDARD MACHINE HARDWARE (Tolerance ± 20%)						
Hardware Grade	No Marks		SAE Grade 5		SAE Grade 8	
	SAE Grade 2		SAE Grade 5		SAE Grade 8	
Size Of Hardware	in/lbs	Nm.	in/lbs	Nm.	in/lbs	Nm.
	ft/lbs		ft/lbs		ft/lbs	
8-32	19	2.1	30	3.4	41	4.6
8-36	20	2.3	31	3.5	43	4.9
10-24	27	3.1	43	4.9	60	6.8
10-32	31	3.5	49	5.5	68	7.7
1/4-20	66	7.6	8	10.9	12	16.3
1/4-28	76	8.6	10	13.6	14	19.0
5/16-18	11	15.0	17	23.1	25	34.0
5/16-24	12	16.3	19	25.8	29	34.0
3/8-16	20	27.2	30	40.8	45	61.2
3/8-24	23	31.3	35	47.6	50	68.0
7/16-14	30	40.8	50	68.0	70	95.2
7/16-20	35	47.6	55	74.8	80	108.8
1/2-13	50	68.0	75	102.0	110	149.6
1/2-20	55	74.8	90	122.4	120	163.2
9/16-12	65	88.4	110	149.6	150	204.0
9/16-18	75	102.0	120	163.2	170	231.2
5/8-11	90	122.4	150	204.0	220	299.2
5/8-18	100	136	180	244.8	240	326.4
3/4-10	160	217.6	260	353.6	386	525.0
3/4-16	180	244.8	300	408.0	420	571.2
7/8-9	140	190.4	400	544.0	600	816.0
7/8-14	155	210.8	440	598.4	660	897.6
1-8	220	299.2	580	788.8	900	1,244.0
1-12	240	326.4	640	870.4	1,000	1,360.0

The guides and ruler furnished below are designed to help you select the appropriate hardware.

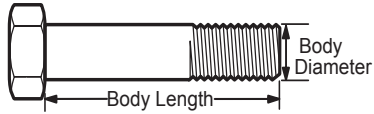


Nut, M8

Thread Diameter (mm)

Inside Diameter (in) Threads per inch

Nut, 1/2-16

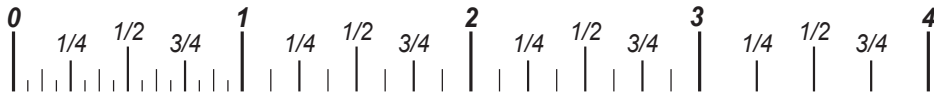


Screw, M8- 1.25 x 25

Thread Diameter (mm) Distance between threads (mm) Body Length (mm)

Body Diameter Threads per inch Body Length (in)

Screw, 1/2- 16 x 2



Standard Hardware Sizing

When a washer or nut is identified as 1/2" (M8), this is the *Nominal size*, meaning the *inside diameter* is 1/2 inch (8mm metric thread diameter); if a second number is present it represents the *threads per inch* (distance between threads).

When bolt or capscrew is identified as 1/2 - 16 x 2" (M8 - 1.25 x 50), this means the *Nominal size*, or body diameter is 1/2 inch (8mm metric thread diameter), the second number, 16, represents the *threads per inch*, (*distance between threads*). The final number is the body length of the bolt or screw, 2 inches (50mm).

NOTES

- These torque values are to be used for all hardware excluding: locknuts, self-tapping screws, thread forming screws, sheet metal screws and socket head setscrews.
- Recommended seating torque values for locknuts:
 - for prevailing torque locknuts - use 65% of grade 5 torques.
 - for flange whizlock nuts and screws - use 135% of grade 5 torques.
- Unless otherwise noted on assembly drawings, all torque values must meet this specification.

Common Hardware Types

Hex Head Capscrew



Washer



Carriage Bolt



Hex Nut

Wrench & Fastener Size Guide

1/4" Bolt or Nut Wrench—7/16"	5/16" Bolt or Nut Wrench—1/2"	3/8" Bolt or Nut Wrench—9/16"	7/16" Bolt or Nut Wrench (Bolt)—5/8" Wrench (Nut)—11/16"	1/2" Bolt or Nut Wrench—3/4"
M6 Bolt or Nut Wrench—10mm	M8 Bolt or Nut Wrench—13mm	M10 Bolt or Nut Wrench—17mm	M12 Bolt or Nut Wrench—19mm	M14 Bolt or Nut Wrench—22mm

